

TECHNICAL DATA

K34G-OUR	
Nominal opening width	800 1200 mm
Workpiece thickness (standard)	8–12 mm
Saw shaft diameter	75 100 mm
Top rollers	10
Bottom rollers	10
Roller drive	Cardan
Feed speed frequency-controlled (standard)	15–50 m/min.
Min. workpiece length	500 mm
Max. driving power	90 kW (4500 rpm)
Dimensions:	
Working height (standard)	800 mm
Length / height approx.	2384 1430 mm
Width, approx.	2240 2640 mm
Weight, approx.	6600 7000 kg

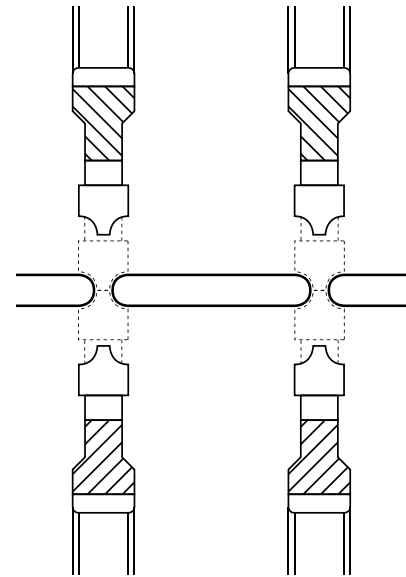


Fig. 5 Profiling of bed slats

0407

LAYOUT

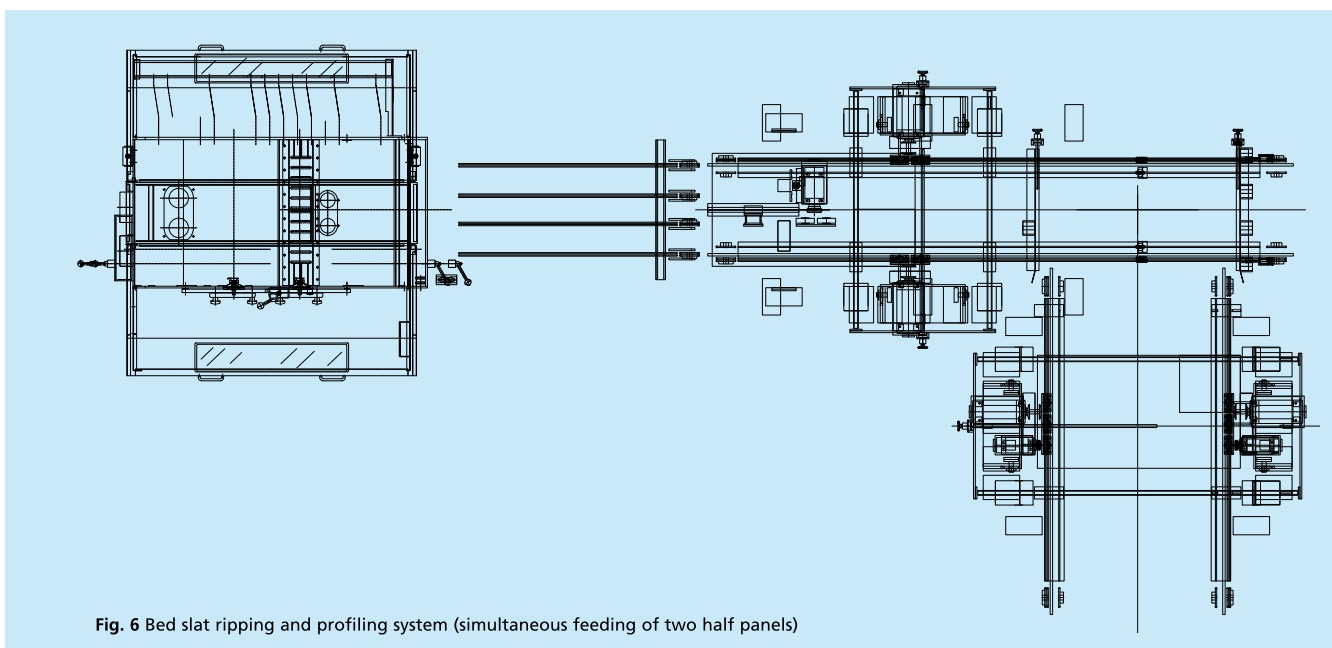


Fig. 6 Bed slat ripping and profiling system (simultaneous feeding of two half panels)

Error and modification reserved.

PAUL-info B 116.36/1

